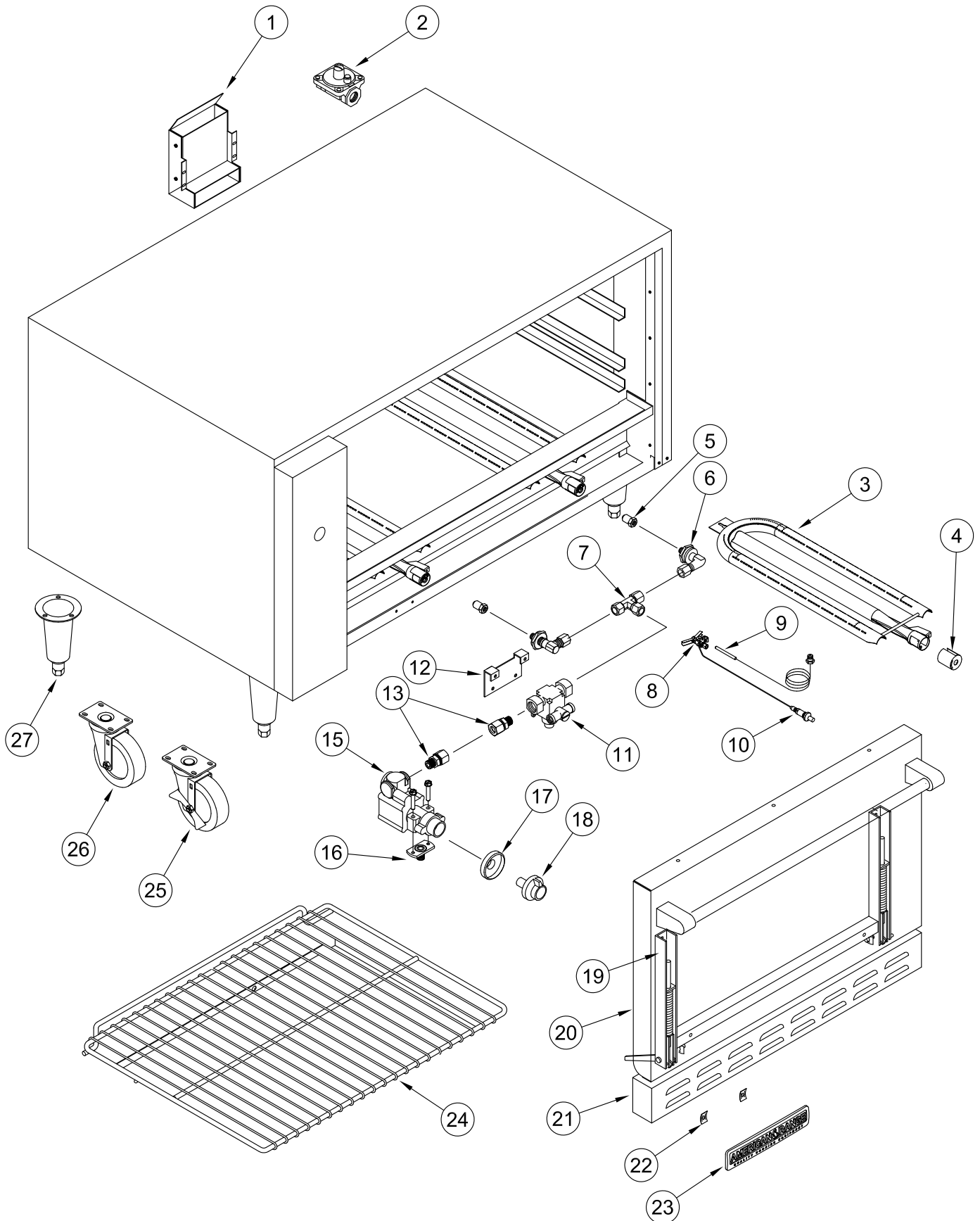


ARLM



ARLM - Lamb Oven

ITEM NO.	PART NO.	DESCRIPTION	
2	A80011	Valve, Pressure Regulator 3/4 10481 LPG Gas Set 10.0	
	A80110	Valve, Pressure Regulator 3/4 10480 Nat Gas Set 5.	
3	A14010	Burner, Convection Oven M/MA Series	
4	A14049	Air Shutter, 1" Oven Burner 10474 AR Range	
5	A29018	Orifice Hood #47 1/2" Brass 11047	
	A29005	Orifice Hood #55 1/2" Brass 11055	
6	A24000	Elbow, Orifice Mixr 3/8C - 3/8-27 10442	
7	A28009	Tee, 3/16 Compression Brass 10007	
8	A11107	Pilot, Nat Gas .26 .110 Term Majestic 36"	
	A11120	Pilot, LPG Gas .16 .110 Term Majestic 36"	
9	A11100	Thermocouple, 18" 2C AR Range	
10	A10033	Ignitor, Piezo & Locking Nut 16025-4 HD Medallion	
11	A80100	Valve, Safety TS-11J AR Ranges 10425	
13	A28000	Fitting, 3/8CC x 1/4 MIP Brass 10011	
15	A11113	Thermostat, BJ Griddle / Gas Oven	
16	A23100	Nipple, Flanged BJ Thermostat 10012	
17	A32012	Bezel, BJ Thermostat	
18	A32011	Knob, Oven BJ Thermostat Dial	
19	A99009	Weld Assembly, Door Frame ARLM	
22	A44003	Nut, Speed #6 Push Black 10601	
23	A38000	Name Plate, American Range 8" 10499 Quality Commercial Chrome	
24	A31017	Rack, Oven ARLM 14-1/2" x 31-3/8"	
25	A35019	Caster, 4" Swivel with Brake NSF 300 lb. Load AR/Medallion	
26	A35018	Caster, 4" Swivel No Brake NSF 300 lb. Load AR/Medallion	
27	A35001	Leg, 6" Cone 3" Adjustable Bullet Chrome Plated NSF	